


NOTES:

1. USE THIS DRAWING FOR PRELIMINARY LAYOUT ONLY.
2. CONFIRM DRAWING DIMENSIONS WITH YOUR LOCAL TCTC REPRESENTATIVE.
3. REFER TO TABLE ON THIS SHEET FOR DIMENSIONS AND WEIGHTS.
4. SUPPORT STEEL AND FOUNDATION DESIGNS ARE THE CONTRACT/OWNERS RESPONSIBILITY. TCTC DRAWINGS ARE FOR GUIDELINES ONLY.

DRAWN	Mark Howard
DATE	5/9/2010
Number of Sheets 1 of 6	 The Cooling Tower Company, L.C. <small>3380 South MacGregor Way, 424, Houston, TX 77021 http://www.ctowers.com</small>
	<p>P.O. Box 14734 Clearwater, FL 33766</p>

TCTC SERIES, 3 CELL


THE COOLING TOWER CO., L.C.

<http://www.ctowers.com>
designer@ctowers.com

PART NUMBER	REV
TCTC 3 CELL SERIES GA	20

THE DESIGN IS THE PROPERTY OF THE COOLING TOWER COMPANY, L.C. AND IS LOANED FOR MUTUAL ASSISTANCE. IT IS NOT TO BE FORWARDED NOR REPRINTED IN ANY FORM WITHOUT A WRITTEN PERMISSION.

TCI SERIES DIMENSIONS AND WEIGHTS								
MODEL NUMBER	MOTOR (HP/CELL)	L	W	H	A	B	DRY WEIGHT (LBS)	OP WEIGHT (LBS)
TCI-0412-1-3	1	04'-6"	12'-6"	12'-4"	3	4	3408	4656
TCI-0412-2-3	2	04'-6"	12'-6"	12'-4"	3	4	3408	4656
TCI-0412-3-3	3	04'-6"	12'-6"	12'-10"	3	4	3408	4656
TCI-0412-5-3	5	04'-6"	12'-6"	12'-10"	3	4	3408	4656
TCI-0618-10-3	10	06'-6"	18'-6"	12'-10"	6	6	7668	10476
TCI-0618-3-3	3	06'-6"	18'-6"	13'-4"	6	6	7668	10476
TCI-0618-5-3	5	06'-6"	18'-6"	13'-4"	6	6	7668	10476
TCI-0618-7.5-3	7.5	06'-6"	18'-6"	13'-10"	6	6	7668	10476
TCI-0818-10-3	10	08'-6"	18'-6"	13'-4"	8	8	10224	13968
TCI-0818-15-3	15	08'-6"	18'-6"	13'-10"	8	8	10224	13968
TCI-0818-5-3	5	08'-6"	18'-6"	13'-10"	8	8	10224	13968
TCI-0818-7.5-3	7.5	08'-6"	18'-6"	14'-4"	8	8	10224	13968
TCI-0824-10-3	10	08'-6"	24'-6"	13'-4"	8	8	13632	18624
TCI-0824-15-3	15	08'-6"	24'-6"	13'-10"	8	8	13632	18624
TCI-0824-20-3	20	08'-6"	24'-6"	13'-10"	8	8	13632	18624
TCI-0824-5-3	5	08'-6"	24'-6"	14'-4"	8	8	13632	18624
TCI-0824-7.5-3	7.5	08'-6"	24'-6"	14'-10"	8	8	13632	18624
TCI-0830-10-3	10	08'-6"	30'-6"	13'-4"	8	8	17040	23280
TCI-0830-15-3	15	08'-6"	30'-6"	13'-4"	8	8	17040	23280
TCI-0830-20-3	20	08'-6"	30'-6"	13'-10"	8	8	17040	23280
TCI-0830-25-3	25	08'-6"	30'-6"	14'-4"	8	8	17040	23280
TCI-0830-5-3	5	08'-6"	30'-6"	14'-4"	8	8	17040	23280
TCI-0830-7.5-3	7.5	08'-6"	30'-6"	14'-10"	8	8	17040	23280
TCI-0836-10-3	10	08'-6"	36'-6"	13'-10"	8	8	20448	27936
TCI-0836-15-3	15	08'-6"	36'-6"	14'-4"	8	8	20448	27936
TCI-0836-20-3	20	08'-6"	36'-6"	14'-4"	8	8	20448	27936
TCI-0836-25-3	25	08'-6"	36'-6"	14'-10"	8	8	20448	27936
TCI-0836-30-3	30	08'-6"	36'-6"	14'-10"	8	8	20448	27936
TCI-0836-7.5-3	7.5	08'-6"	36'-6"	15'-4"	8	8	20448	27936
TCI-0842-10-3	10	08'-6"	42'-6"	14'-10"	8	8	23856	32592
TCI-0842-15-3	15	08'-6"	42'-6"	15'-4"	8	8	23856	32592
TCI-0842-20-3	20	08'-6"	42'-6"	15'-10"	8	8	23856	32592
TCI-0842-25-3	25	08'-6"	42'-6"	15'-10"	8	8	23856	32592
TCI-0842-30-3	30	08'-6"	42'-6"	15'-10"	8	8	23856	32592

DRAWN Mark Howard
 DATE 5/9/2010
 Number of Sheets 2 of 6

 3380 South MacGregor Way, 424, Houston, TX 77021
<http://www.ctowers.com>


TCI SERIES 3 CELL TOWER DIMS
 P.O. Box 14734 Clearwater, FL 33766

THE COOLING TOWER CO, L.C.
<http://www.ctowers.com>
designer@ctowers.com
 PART NUMBER DIMS 3 CELL
 REV 20

THE DESIGN IS THE PROPERTY OF THE COOLING TOWER COMPANY, L.C. AND IS LOANED FOR MUTUAL ASSISTANCE. IT IS NOT TO BE FORWARDED NOR REPRINTED IN ANY FORM WITHOUT A WRITTEN PERMISSION.

TCI SERIES DIMENSIONS AND WEIGHTS

MODEL NUMBER	MOTOR (HP/CELL)	L	W	H	A	B	DRY WEIGHT (LBS)	OP WEIGHT (LBS)
TCI-1118-10-3	10	11'-6"	18'-6"	14'-4"	8	8	14058	19206
TCI-1118-15-3	15	11'-6"	18'-6"	14'-10"	8	8	14058	19206
TCI-1118-20-3	20	11'-6"	18'-6"	15'-4"	8	8	14058	19206
TCI-1118-5-3	5	11'-6"	18'-6"	15'-10"	8	8	14058	19206
TCI-1118-7.5-3	7.5	11'-6"	18'-6"	15'-10"	8	8	14058	19206
TCI-1124-10-3	10	11'-6"	24'-6"	13'-10"	8	8	18744	25608
TCI-1124-15-3	15	11'-6"	24'-6"	14'-4"	8	8	18744	25608
TCI-1124-20-3	20	11'-6"	24'-6"	14'-4"	8	8	18744	25608
TCI-1124-25-3	25	11'-6"	24'-6"	14'-10"	8	8	18744	25608
TCI-1124-5-3	5	11'-6"	24'-6"	14'-10"	8	8	18744	25608
TCI-1124-7.5-3	7.5	11'-6"	24'-6"	15'-4"	8	8	18744	25608
TCI-1130-10-3	10	11'-6"	30'-6"	14'-4"	8	8	23430	32010
TCI-1130-15-3	15	11'-6"	30'-6"	14'-4"	8	8	23430	32010
TCI-1130-20-3	20	11'-6"	30'-6"	14'-10"	8	8	23430	32010
TCI-1130-25-3	25	11'-6"	30'-6"	14'-10"	8	8	23430	32010
TCI-1130-30-3	30	11'-6"	30'-6"	15'-4"	8	8	23430	32010
TCI-1130-7.5-3	7.5	11'-6"	30'-6"	15'-10"	8	8	23430	32010
TCI-1136-10-3	10	11'-6"	36'-6"	14'-4"	8	10	28116	38412
TCI-1136-15-3	15	11'-6"	36'-6"	14'-10"	8	10	28116	38412
TCI-1136-20-3	20	11'-6"	36'-6"	14'-10"	8	10	28116	38412
TCI-1136-25-3	25	11'-6"	36'-6"	15'-4"	8	10	28116	38412
TCI-1136-30-3	30	11'-6"	36'-6"	15'-4"	8	10	28116	38412
TCI-1136-40-3	40	11'-6"	36'-6"	15'-10"	8	10	28116	38412
TCI-1142-15-3	15	11'-6"	42'-6"	14'-4"	8	10	32802	44814
TCI-1142-20-3	20	11'-6"	42'-6"	14'-10"	8	10	32802	44814
TCI-1142-25-3	25	11'-6"	42'-6"	14'-10"	8	10	32802	44814
TCI-1142-30-3	30	11'-6"	42'-6"	15'-4"	8	10	32802	44814
TCI-1142-40-3	40	11'-6"	42'-6"	15'-10"	8	10	32802	44814
TCI-1142-50-3	50	11'-6"	42'-6"	15'-10"	8	10	32802	44814
TCI-1148-15-3	15	11'-6"	48'-6"	15'-4"	10	10	37488	51216
TCI-1148-20-3	20	11'-6"	48'-6"	15'-10"	10	10	37488	51216
TCI-1148-25-3	25	11'-6"	48'-6"	15'-10"	10	10	37488	51216
TCI-1148-30-3	30	11'-6"	48'-6"	16'-4"	10	10	37488	51216
TCI-1148-40-3	40	11'-6"	48'-6"	16'-4"	10	10	37488	51216
TCI-1148-50-3	50	11'-6"	48'-6"	16'-10"	10	10	37488	51216
TCI-1154-20-3	20	11'-6"	54'-6"	16'-10"	10	12	42174	57618
TCI-1154-25-3	25	11'-6"	54'-6"	16'-10"	10	12	42174	57618
TCI-1154-30-3	30	11'-6"	54'-6"	16'-10"	10	12	42174	57618
TCI-1154-40-3	40	11'-6"	54'-6"	17'-4"	10	12	42174	57618
TCI-1154-50-3	50	11'-6"	54'-6"	17'-10"	10	12	42174	57618
TCI-1154-60-3	60	11'-6"	54'-6"	17'-10"	10	12	42174	57618

DRAWN Mark Howard
 DATE 5/9/2010
 Number of Sheets 3 of 6

 3380 South MacGregor Way, 424, Houston, TX 77021
<http://www.ctowers.com>

TCI SERIES 3 CELL TOWER DIMS

P.O. Box 14734 Clearwater, FL 33766

THE COOLING TOWER CO, L.C.

<http://www.ctowers.com>
designer@ctowers.com


PART NUMBER
 DIMS 3 CELL

REV
 20

THE DESIGN IS THE PROPERTY OF THE COOLING TOWER COMPANY, L.C. AND IS LOANED FOR MUTUAL ASSISTANCE. IT IS NOT TO BE FORWARDED NOR REPRINTED IN ANY FORM WITHOUT A WRITTEN PERMISSION.

TCI SERIES DIMENSIONS AND WEIGHTS

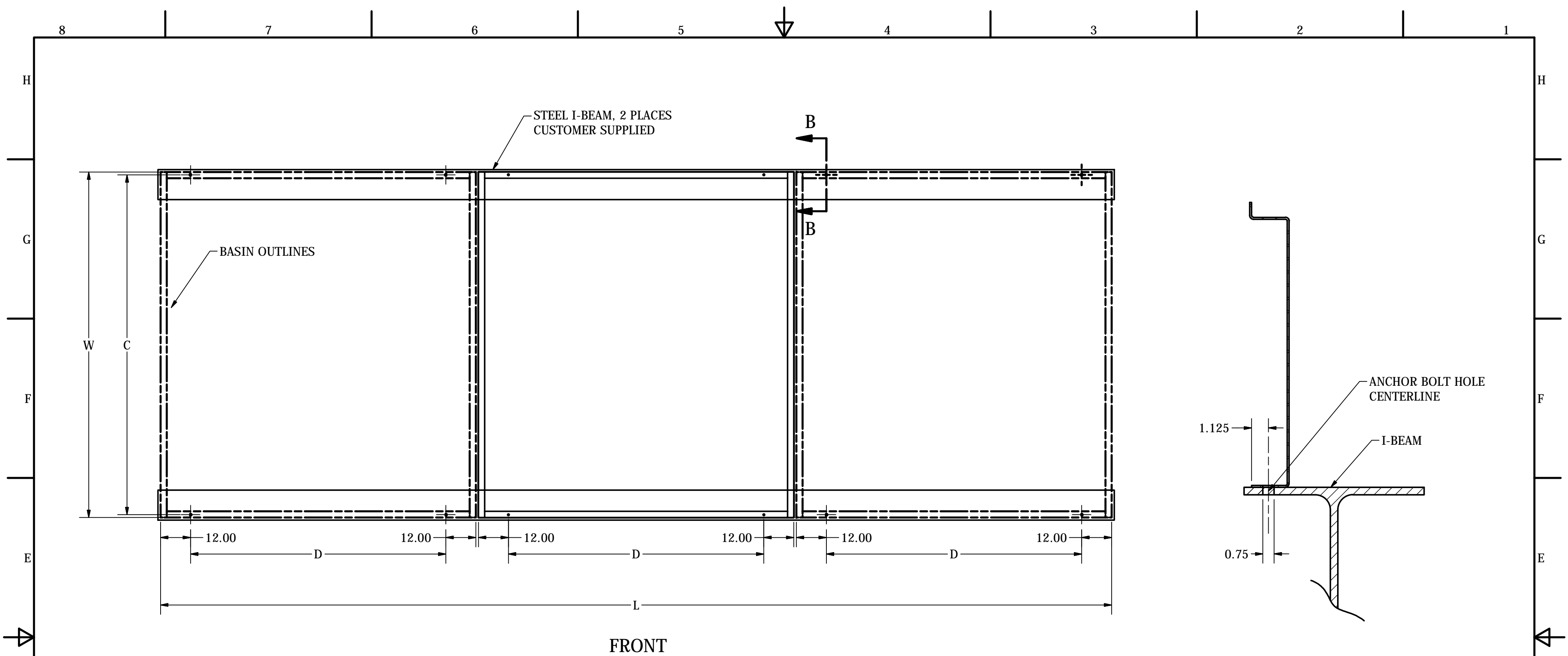
MODEL NUMBER	MOTOR (HP/CELL)	L	W	H	A	B	DRY WEIGHT (LBS)	OP WEIGHT (LBS)
TCI-1342-15-3	15	13'-6"	42'-6"	14'-10"	10	12	38766	52962
TCI-1342-20-3	20	13'-6"	42'-6"	15'-4"	10	12	38766	52962
TCI-1342-25-3	25	13'-6"	42'-6"	15'-10"	10	12	38766	52962
TCI-1342-30-3	30	13'-6"	42'-6"	15'-10"	10	12	38766	52962
TCI-1342-40-3	40	13'-6"	42'-6"	16'-4"	10	12	38766	52962
TCI-1342-50-3	50	13'-6"	42'-6"	16'-4"	10	12	38766	52962
TCI-1342-60-3	60	13'-6"	42'-6"	16'-10"	10	12	38766	52962
TCI-1348-20-3	20	13'-6"	48'-6"	15'-4"	10	12	44304	60528
TCI-1348-25-3	25	13'-6"	48'-6"	15'-4"	10	12	44304	60528
TCI-1348-30-3	30	13'-6"	48'-6"	15'-10"	10	12	44304	60528
TCI-1348-40-3	40	13'-6"	48'-6"	15'-10"	10	12	44304	60528
TCI-1348-50-3	50	13'-6"	48'-6"	16'-4"	10	12	44304	60528
TCI-1348-60-3	60	13'-6"	48'-6"	16'-10"	10	12	44304	60528
TCI-1348-75-3	75	13'-6"	48'-6"	16'-10"	10	12	44304	60528
TCI-1354-20-3	20	13'-6"	54'-6"	15'-10"	10	12	49842	68094
TCI-1354-25-3	25	13'-6"	54'-6"	16'-4"	10	12	49842	68094
TCI-1354-30-3	30	13'-6"	54'-6"	16'-4"	10	12	49842	68094
TCI-1354-40-3	40	13'-6"	54'-6"	16'-10"	10	12	49842	68094
TCI-1354-50-3	50	13'-6"	54'-6"	17'-4"	10	12	49842	68094
TCI-1354-60-3	60	13'-6"	54'-6"	17'-4"	10	12	49842	68094
TCI-1354-75-3	75	13'-6"	54'-6"	17'-10"	10	12	49842	68094
TCI-1360-20-3	20	13'-6"	60'-6"	16'-10"	10	12	55380	75660
TCI-1360-25-3	25	13'-6"	60'-6"	16'-10"	10	12	55380	75660
TCI-1360-30-3	30	13'-6"	60'-6"	17'-4"	10	12	55380	75660
TCI-1360-40-3	40	13'-6"	60'-6"	17'-10"	10	12	55380	75660
TCI-1360-50-3	50	13'-6"	60'-6"	17'-10"	10	12	55380	75660
TCI-1360-60-3	60	13'-6"	60'-6"	18'-4"	10	12	55380	75660
TCI-1360-75-3	75	13'-6"	60'-6"	18'-10"	10	12	55380	75660
TCI-1366-20-3	20	13'-6"	66'-6"	17'-10"	10	12	60918	83226
TCI-1366-25-3	25	13'-6"	66'-6"	17'-10"	10	12	60918	83226
TCI-1366-30-3	30	13'-6"	66'-6"	18'-4"	10	12	60918	83226
TCI-1366-40-3	40	13'-6"	66'-6"	18'-4"	10	12	60918	83226
TCI-1366-50-3	50	13'-6"	66'-6"	18'-10"	12	12	60918	83226
TCI-1366-60-3	60	13'-6"	66'-6"	19'-4"	12	12	60918	83226
TCI-1366-75-3	75	13'-6"	66'-6"	19'-10"	12	12	60918	83226

DRAWN Mark Howard
 DATE 5/9/2010
 Number of Sheets 4 of 6

 3380 South MacGregor Way, 424, Houston, TX 77021
<http://www.ctowers.com>

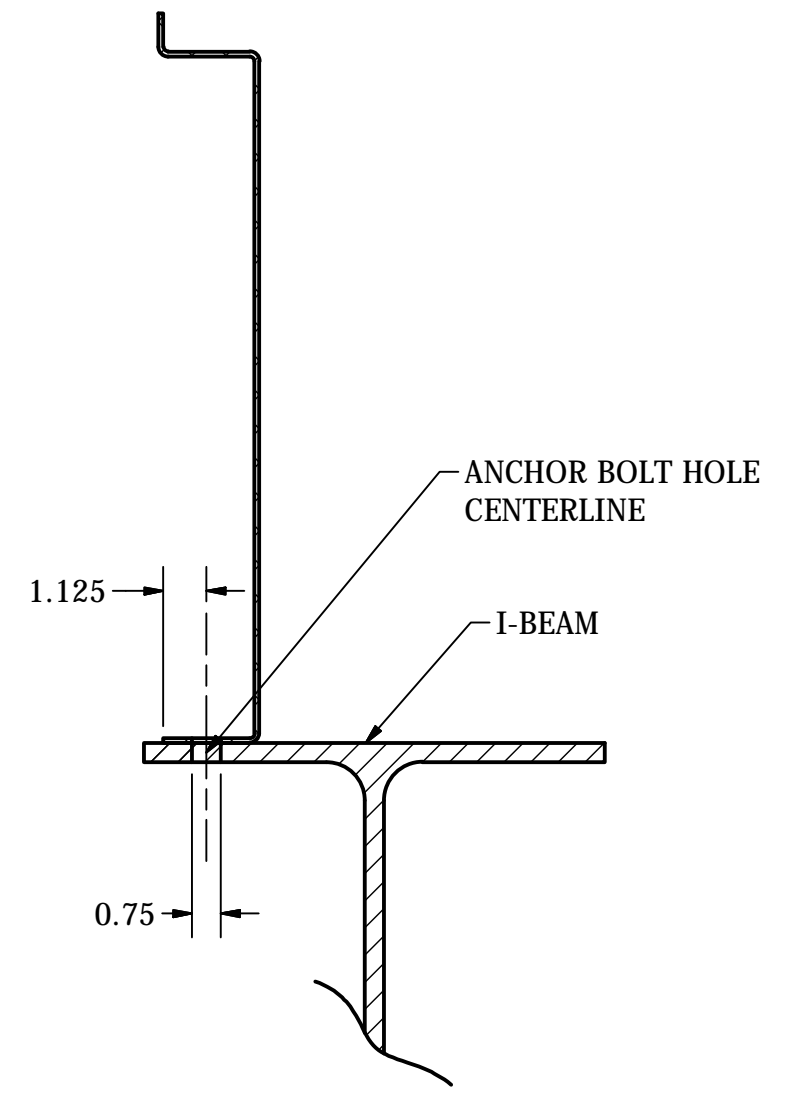
TCI SERIES 3 CELL TOWER DIMS
 P.O. Box 14734 Clearwater, FL 33766

THE COOLING TOWER CO, L.C.
<http://www.ctowers.com>
designer@ctowers.com
 PART NUMBER
DIMS 3 CELL
 REV
20

THE DESIGN IS THE PROPERTY OF THE COOLING TOWER COMPANY, L.C. AND IS LOANED FOR MUTUAL ASSISTANCE. IT IS NOT TO BE FORWARDED NOR REPRINTED IN ANY FORM WITHOUT A WRITTEN PERMISSION.



FRONT
ANCHOR BOLT LAYOUT



SECTION B-B
ANCHOR BOLT HOLE DETAIL
(VIEW ROTATED FOR CLARITY)

NOTES:

1. USE THIS DRAWING FOR PRELIMINARY LAYOUT ONLY.
2. CONFIRM DRAWING DIMENSIONS WITH YOUR LOCAL TCTC REPRESENTATIVE.
3. REFER TO TABLE ON THIS SHEET FOR DIMENSIONS AND WEIGHTS.
4. SUPPORT STEEL AND FOUNDATION DESIGNS ARE THE CONTRACT/OWNERS RESPONSIBILITY. TCTC DRAWINGS ARE FOR GUIDELINES ONLY.
5. DESIGN SUPPORT STRUCTURE TO ACCOMODATE TOWER OPERATING WEIGHT, LOCAL WIND LOADS, AND OVERTURNING LOAD.
6. ALL STRUCTURAL STEEL MUST BE LEVEL AND COPLANAR AT THE TOP SURFACE THAT MATES TO THE TOWER BASIN FLANGE.
7. STEEL SUPPORT STRUCTURE MUST PROVIDE CONTINUOUS SUPPORT TO THE TOWER BASIN FRONT AND REAR FLANGE.
8. SUPPORT BEAMS TO BE SELECTED IN ACCORDANCE WITH ALL APPLICABLE STUCTURAL STANDARDS AND PRACTICES.

TCTC SERIES STEEL DIMENSIONS AND WEIGHTS					
TOWER SERIES NO.	W (in)	L (in)	D (in)	C (in)	OP WEIGHT (lbs)
TCI-0412-3	53.375	162.125	29.375	51.125	4860
TCI-0618-3	77.625	234.875	53.625	75.375	10560
TCI-0818-3	101.875	234.875	53.625	99.625	13980
TCI-0824-3	101.875	307.625	77.875	99.625	18640
TCI-0830-3	101.875	380.375	102.125	99.625	23300
TCI-0836-3	101.875	453.125	126.375	99.625	27760
TCI-1118-3	138.25	234.875	53.625	136	19310
TCI-1130-3	138.25	380.375	102.125	136	31750
TCI-1136-3	138.25	453.125	126.375	136	38120
TCI-1142-3	138.25	525.875	150.625	136	44390
TCI-1148-3	138.25	598.625	174.875	136	50660
TCI-1154-3	138.25	671.375	199.125	136	57618
TCI-1342-3	162.5	525.875	150.625	160.25	52962
TCI-1348-3	162.5	598.625	174.875	160.25	60528
TCI-1354-3	162.5	671.375	199.125	160.25	68094
TCI-1360-3	162.5	744.125	223.375	160.25	75660
TCI-1366-3	162.5	816.875	247.625	160.25	83226

DRAWN Mark Howard
DATE 5/9/2010

STEEL LAYOUT, MULTI BASIN

THE COOLING TOWER CO, L.C.

<http://www.ctowers.com>
designer@ctowers.com

Number of Sheets
5 of 6



P.O. Box 14734 Clearwater, FL 33766

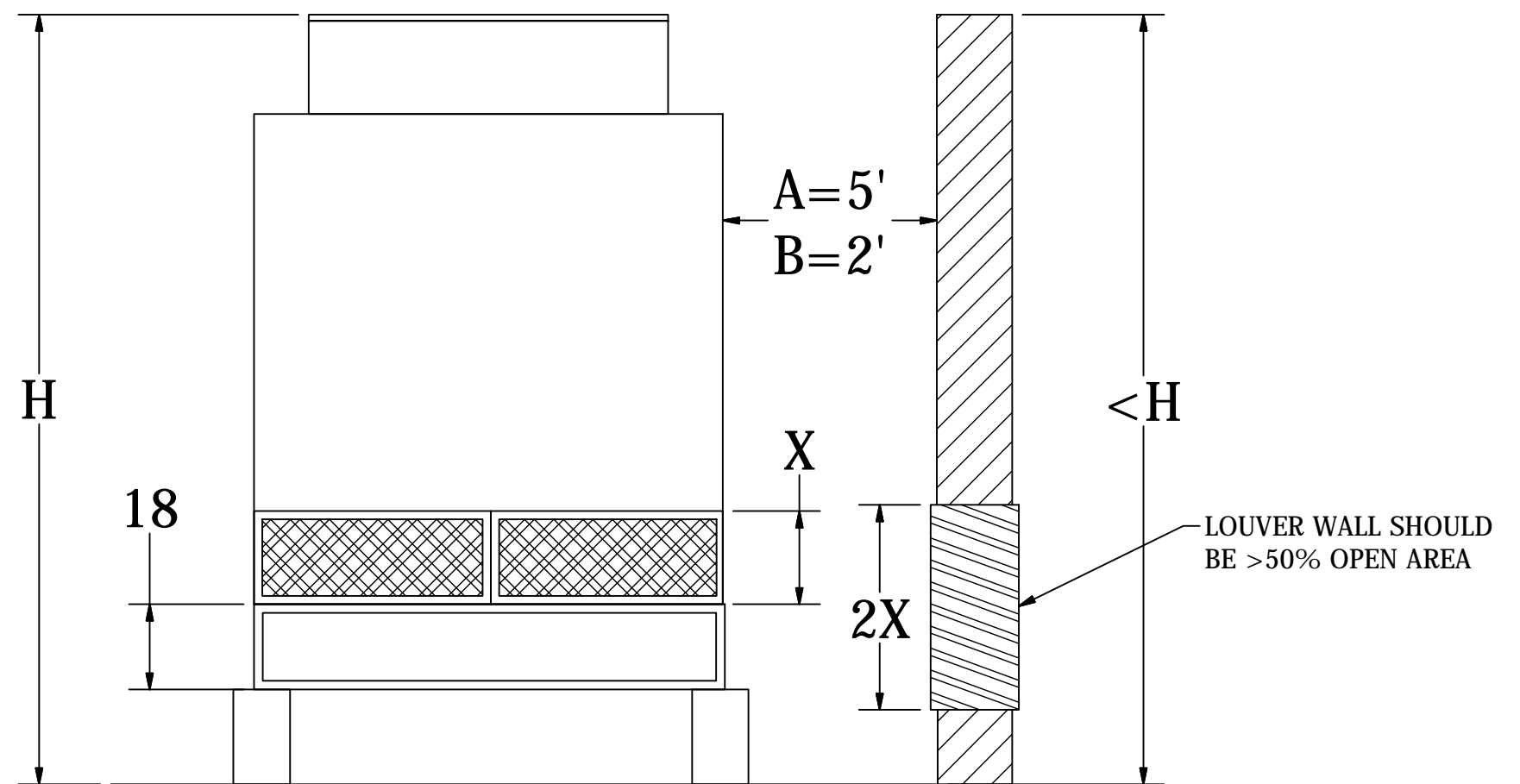
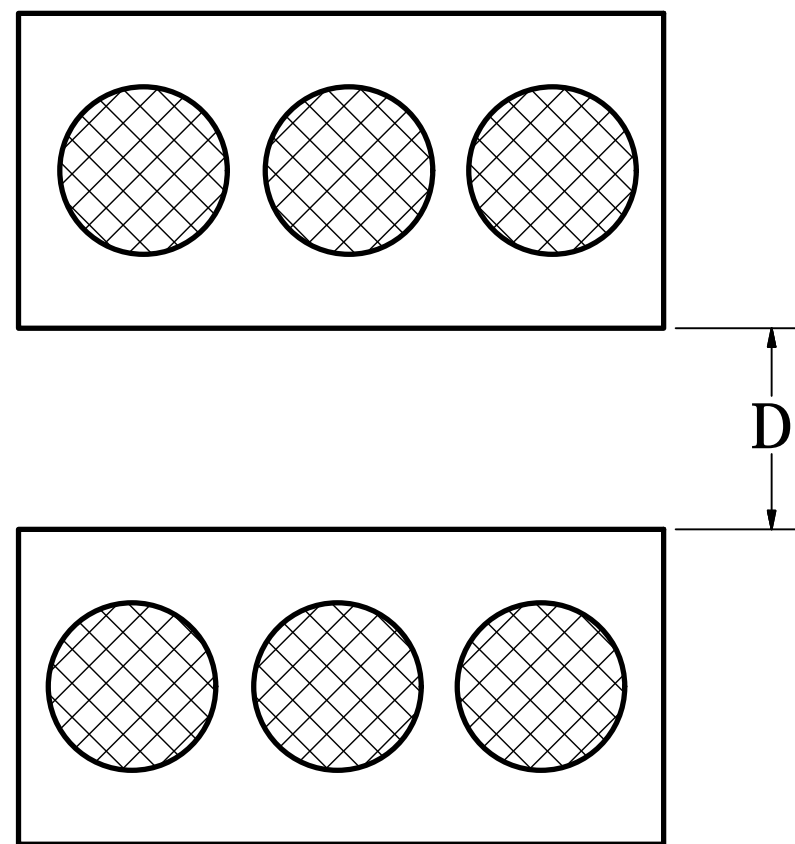
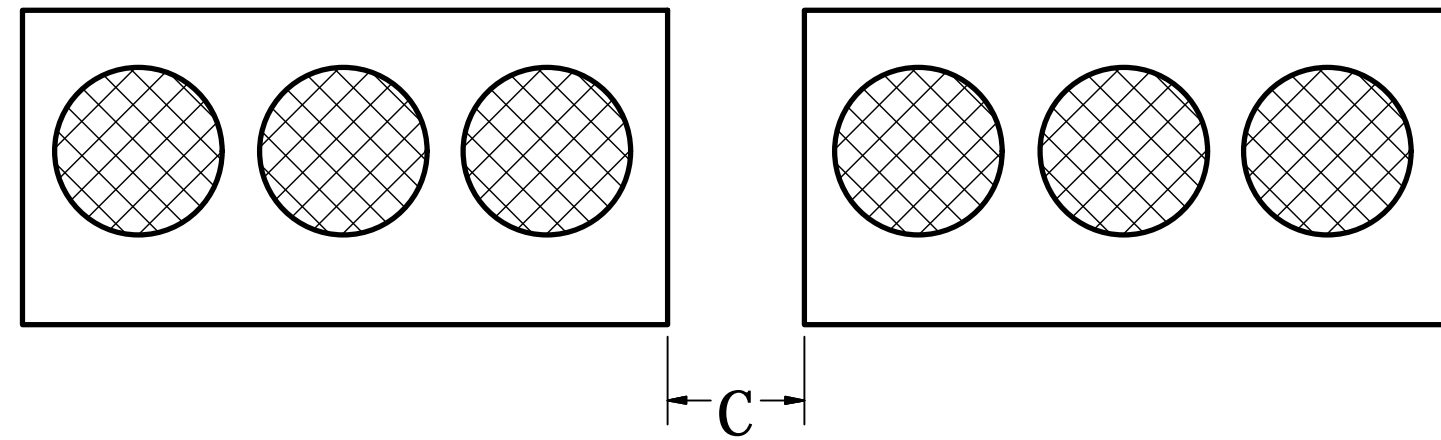
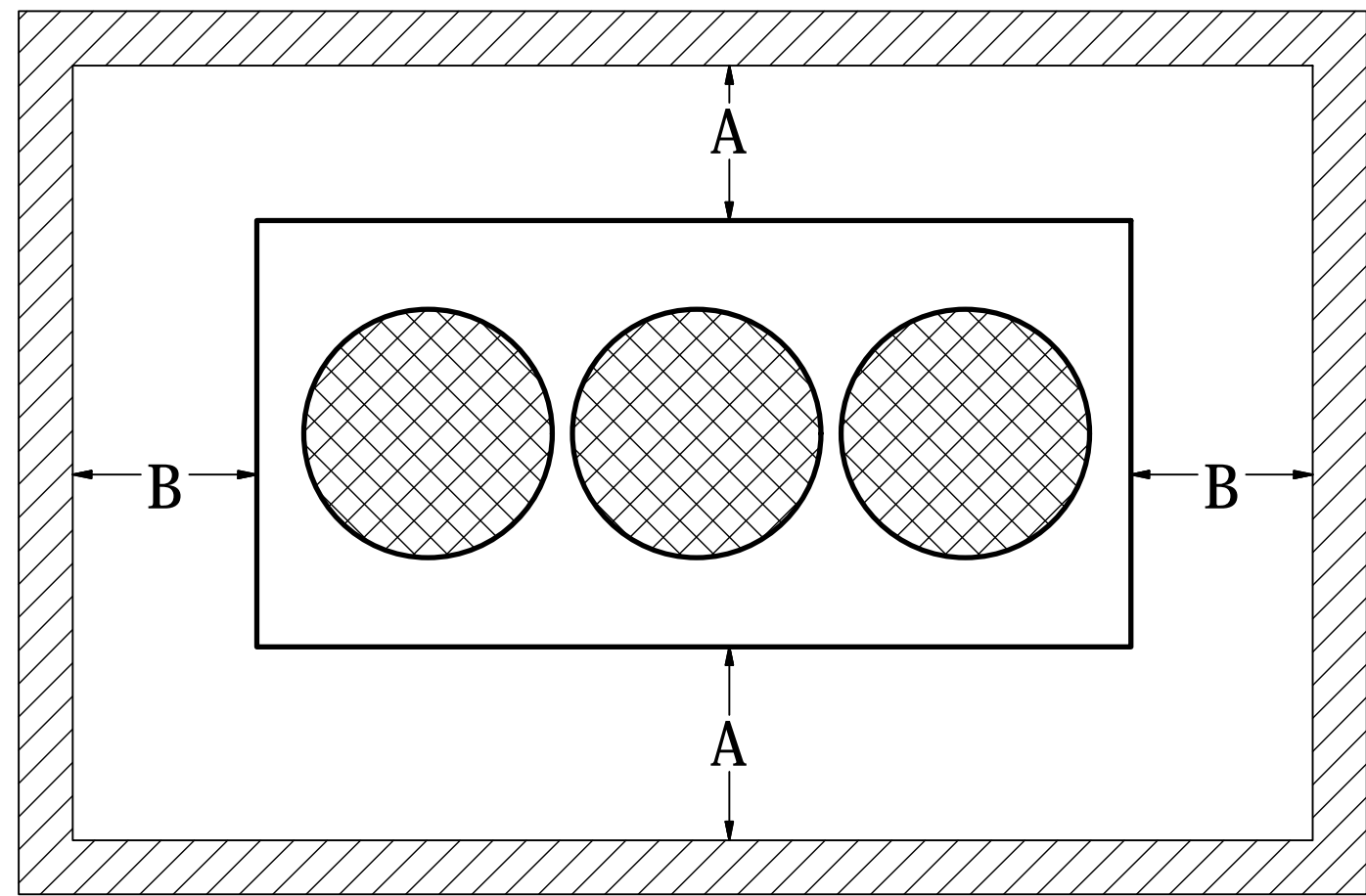
PART NUMBER

TCI SERIES 3 CELL GA

REV

20

THE DESIGN IS THE PROPERTY OF THE COOLING TOWER COMPANY, L.C. AND IS LOANED FOR MUTUAL ASSISTANCE. IT IS NOT TO BE FORWARDED NOR REPRINTED IN ANY FORM WITHOUT A WRITTEN PERMISSION.



NOTES:

1. USE THIS DRAWING FOR PRELIMINARY LAYOUT ONLY.
2. CONFIRM DRAWING DIMENSIONS WITH YOUR LOCAL TCTC REPRESENTATIVE.
3. REFER TO TABLE ON THIS SHEET FOR DIMENSIONS AND WEIGHTS.
4. SUPPORT STEEL AND FOUNDATION DESIGNS ARE THE CONTRACT/OWNERS RESPONSIBILITY. TCTC DRAWINGS ARE FOR GUIDELINES ONLY.

DIMENSIONS FOR TCI TOWER INSTALLATIONS				
TCI TOWER	DIM A	DIM B	DIM C	DIM D
TCI-0400	6'	3'	3'	6'
TCI-0600	6'	3'	3'	6'
TCI-0800	6'	3'	3'	6'
TCI-1100	6'	3'	4'	6'
TCI-1300	6'	3'	4'	6'

DRAWN Mark Howard
DATE 5/9/2010

SERIES TCI TOWER LAYOUT

THE COOLING TOWER CO, L.C.

<http://www.ctowers.com>
designer@ctowers.com

Number of Sheets
6 of 6



P.O Box 14734 Clearwater, FL 33766

PART NUMBER

TCI SERIES 3 CELL GA

REV

20

THE DESIGN IS THE PROPERTY OF THE COOLING TOWER COMPANY, L.C. AND IS LOANED FOR MUTUAL ASSISTANCE. IT IS NOT TO BE FORWARDED NOR REPRINTED IN ANY FORM WITHOUT A WRITTEN PERMISSION.