

THE COOLING TOWER COMPANY, L.C.



SERIES TCF COOLING TOWERS

SERIES - TCF FEATURES

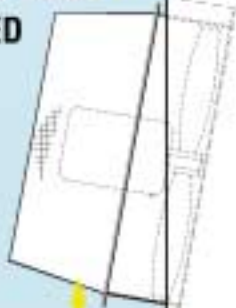
DISTRIBUTION SYSTEM

- NON-PLUGGING NOZZLES
- LOW AP PUMPING HEAD
- TOP OR BOTTOM INLET



HIGH EFFICIENCY FILL

- EASILY INSPECTED
- LARGE ACCESS



HIGH EFFICIENCY AXIAL FANS

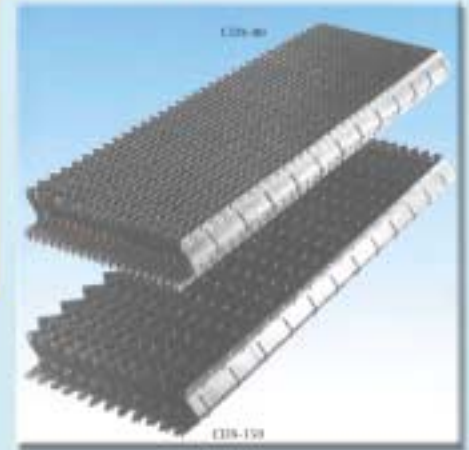
- DRY INCOMING AIR INLET
- BELT OR DIRECT DRIVE



MATERIALS OF CONSTRUCTION

- ALL STAINLESS STEEL
- STAINLESS/FRP
- STAINLESS/FRP/GALV.

0.001% - 0.002% DRIFT ELIMINATORS



EVERY BASIN WATER TESTED AT FACTORY



FULLY WELDED AND SLOPED BASIN

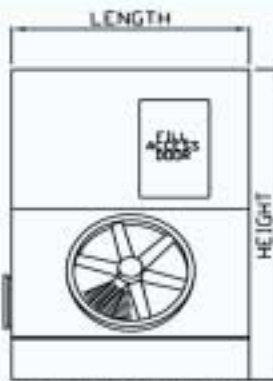




SITE CONSIDERATIONS

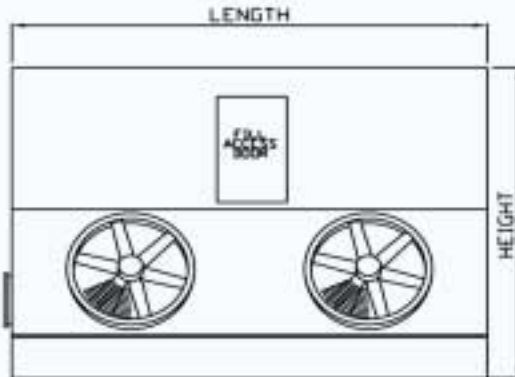
- **Easy installation of pre-assembled modules**
- **Compact site arrangements-ground or roof level**
- **“Back to Back” and “Side to Side” arrangements**
- **Flexible Inlet & Outlet piping -will design to match site**
- **Fan and motor access from “grade level”**
- **Single or Multiple cell basin arrangements**
- **Nominal 100 to 1100 Ton capacities**
- **Access platform is the support steel**





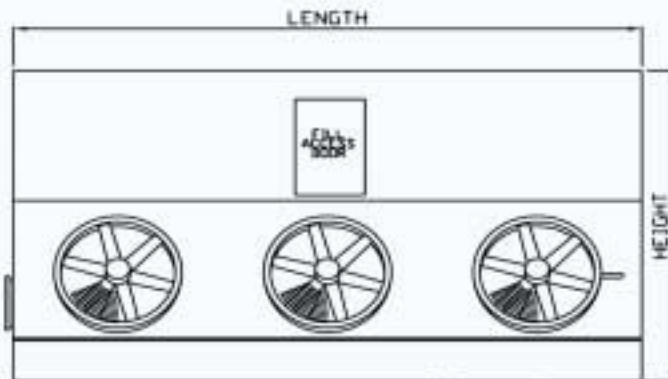
MODELS TCF-42 THRU TCF-154

TOWER MODEL	NOMINAL 95/85/78 TONS	DIMENSIONS (inches)			WEIGHTS (LB)	
		LENGTH	WIDTH	HEIGHT	DRY	OPERATING
TCF-42	108	76.5	88.5	152	2650	4550
TCF-56	145	100.75	88.5	164	3550	5850
TCF-70	182	124.75	88.5	164	4950	7450
TCF-84	220	149.25	88.5	164	5050	8400
TCF-110	290	124.75	136.75	164	5975	10550
TCF-132	313	149.25	136.75	164	6975	12500
TCF-154	353	173.25	136.75	164	8075	14475



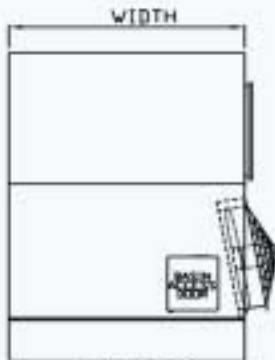
MODELS TCF-176 THRU TCF-308

TOWER MODEL	NOMINAL 95/85/78 TONS	DIMENSIONS (inches)			WEIGHTS (LB)	
		LENGTH	WIDTH	HEIGHT	DRY	OPERATING
TCF-176	500	197.75	136.75	164	8800	16190
TCF-198	558	221.75	136.75	164	9950	18215
TCF-220	623	245.75	136.75	164	11000	20240
TCF-242	655	269.75	136.75	164	12100	22265
TCF-264	680	294.25	136.75	164	13200	24290
TCF-286	703	318.25	136.75	164	14300	26320
TCF-308	726	342.25	136.75	164	15400	28340



MODELS TCF-330 THRU TCF-462

TOWER MODEL	NOMINAL 95/85/78 TONS	DIMENSIONS (inches)			WEIGHTS (LB)	
		LENGTH	WIDTH	HEIGHT	DRY	OPERATING
TCF-330	954	366.75	136.75	164	16500	30360
TCF-352	988	390.75	136.75	164	17600	32385
TCF-374	1018	414.75	136.75	164	18700	34410
TCF-396	1046	439.25	136.75	164	19800	36440
TCF-418	1073	463.25	136.75	164	20900	38460
TCF-440	1100	487.75	136.75	164	22000	40800
TCF-462	1121	511.75	136.75	164	23100	42500



ALL MODELS

NOTES:

1. TOP OR BOTTOM INLET AVAILABLE
2. BOTTOM DR. SIDE OUTLET AVAILABLE
3. CUSTOM DESIGNS FOR SITE SPECIFIC REQUIREMENTS AVAILABLE
4. DIMENSIONS AND WEIGHTS ARE FOR REFERENCE ONLY
5. FOUR CELL TOWERS AVAILABLE
6. MODELS 56-462 SHIP IN TWO PIECES (BASIN/PLENUM & PACK)
7. ALTERNATE ACCESS DOOR LOCATIONS AVAILABLE
8. FOR PROJECT SPECIFIC INFORMATION, CONTACT THE COOLING TOWER COMPANY, L.C.

THE COOLING TOWER CO., L.C. 2189 Cleveland St., Suite 204-A Clearwater, FL 33765
Tel: 727-442-8500 • Fax: 727-441-2920 • www.ctowers.com

